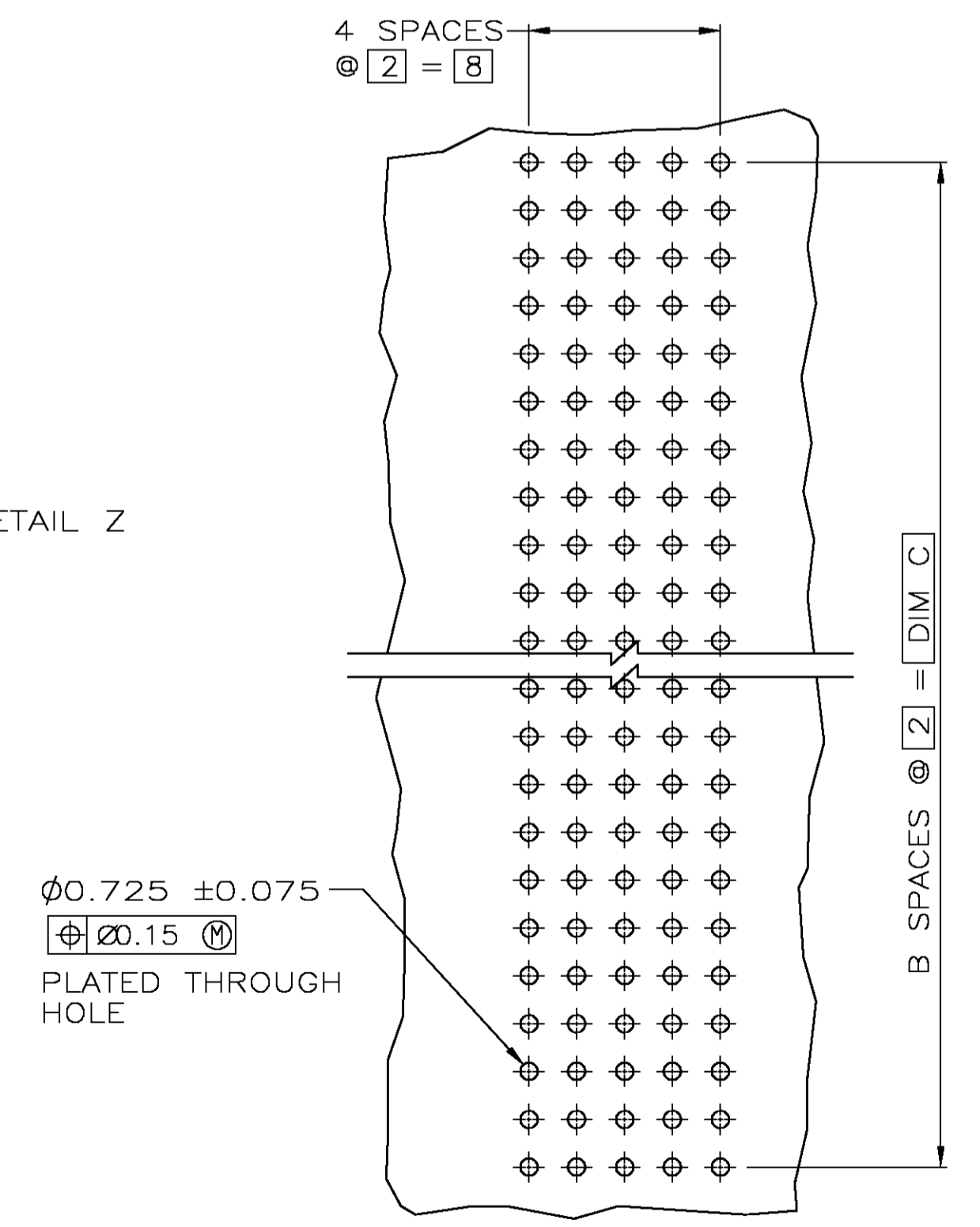
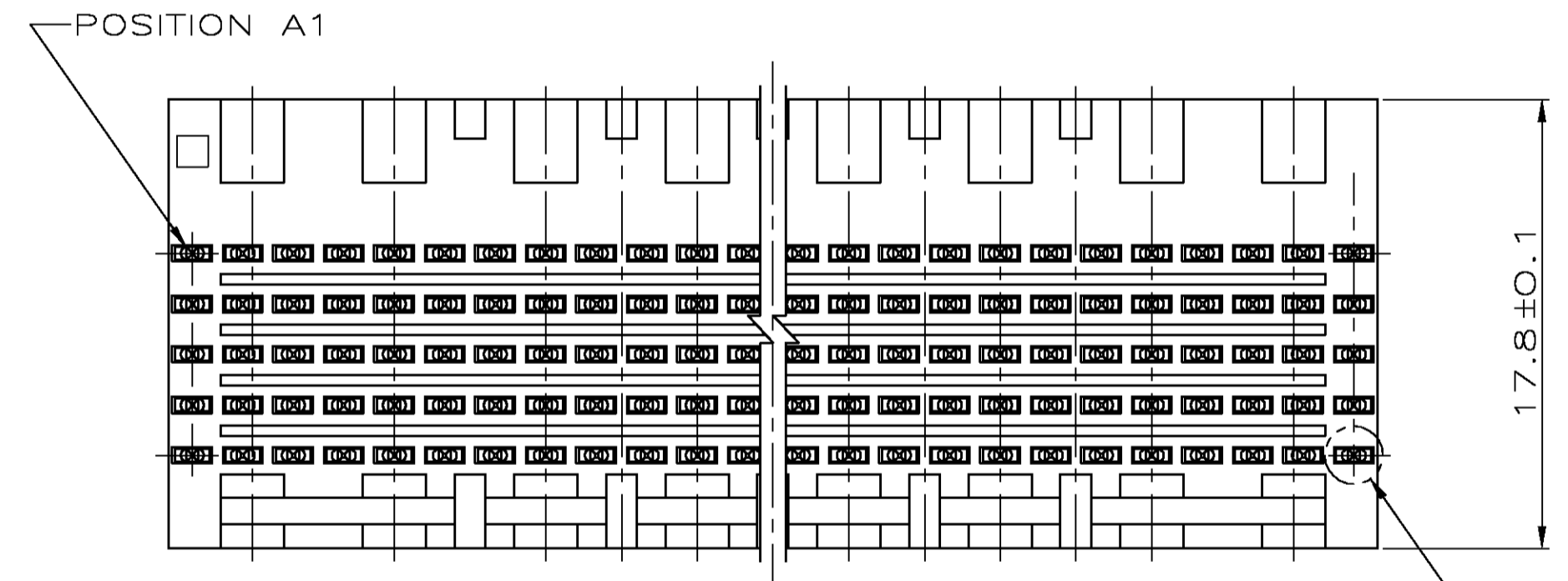
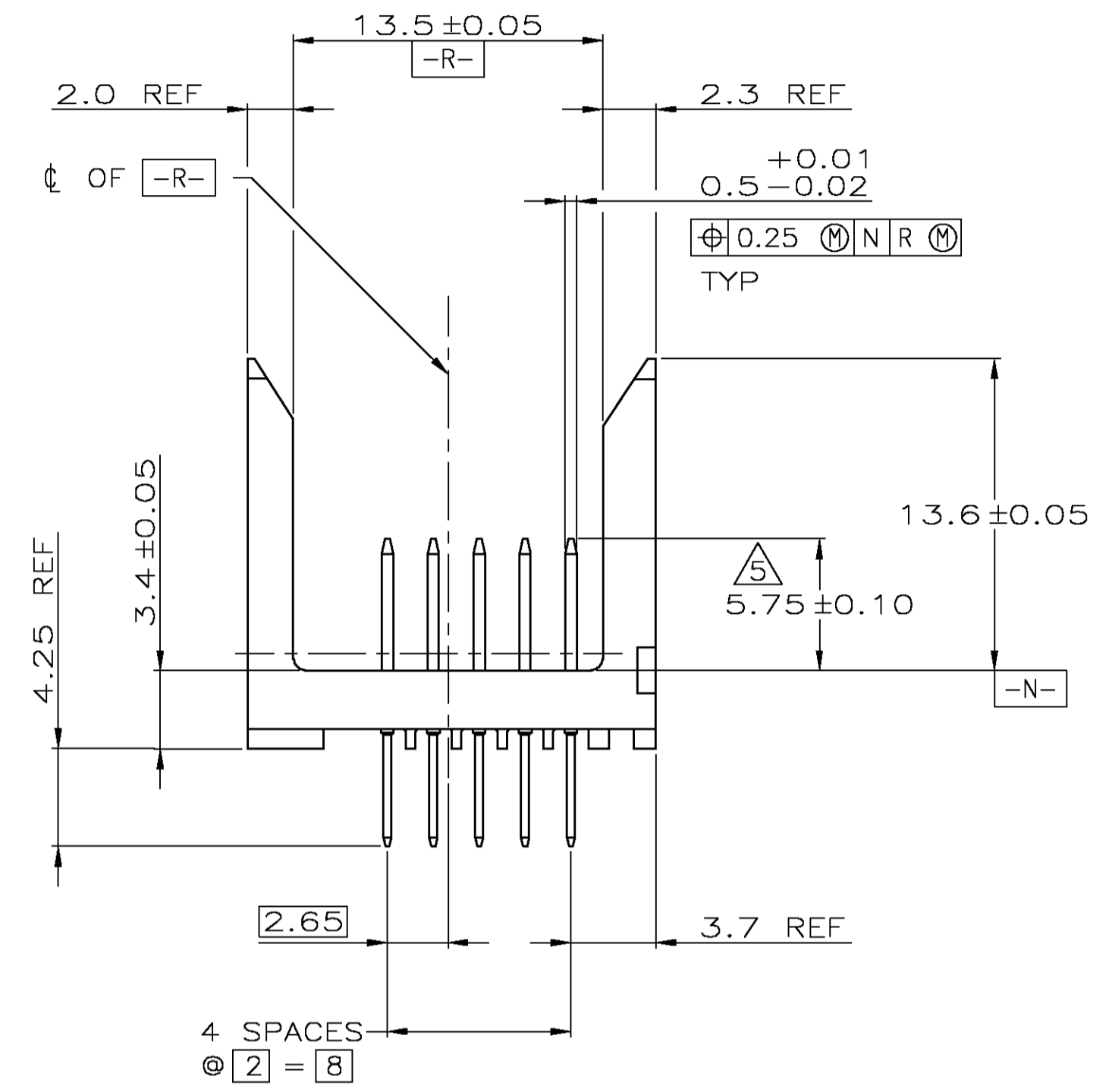
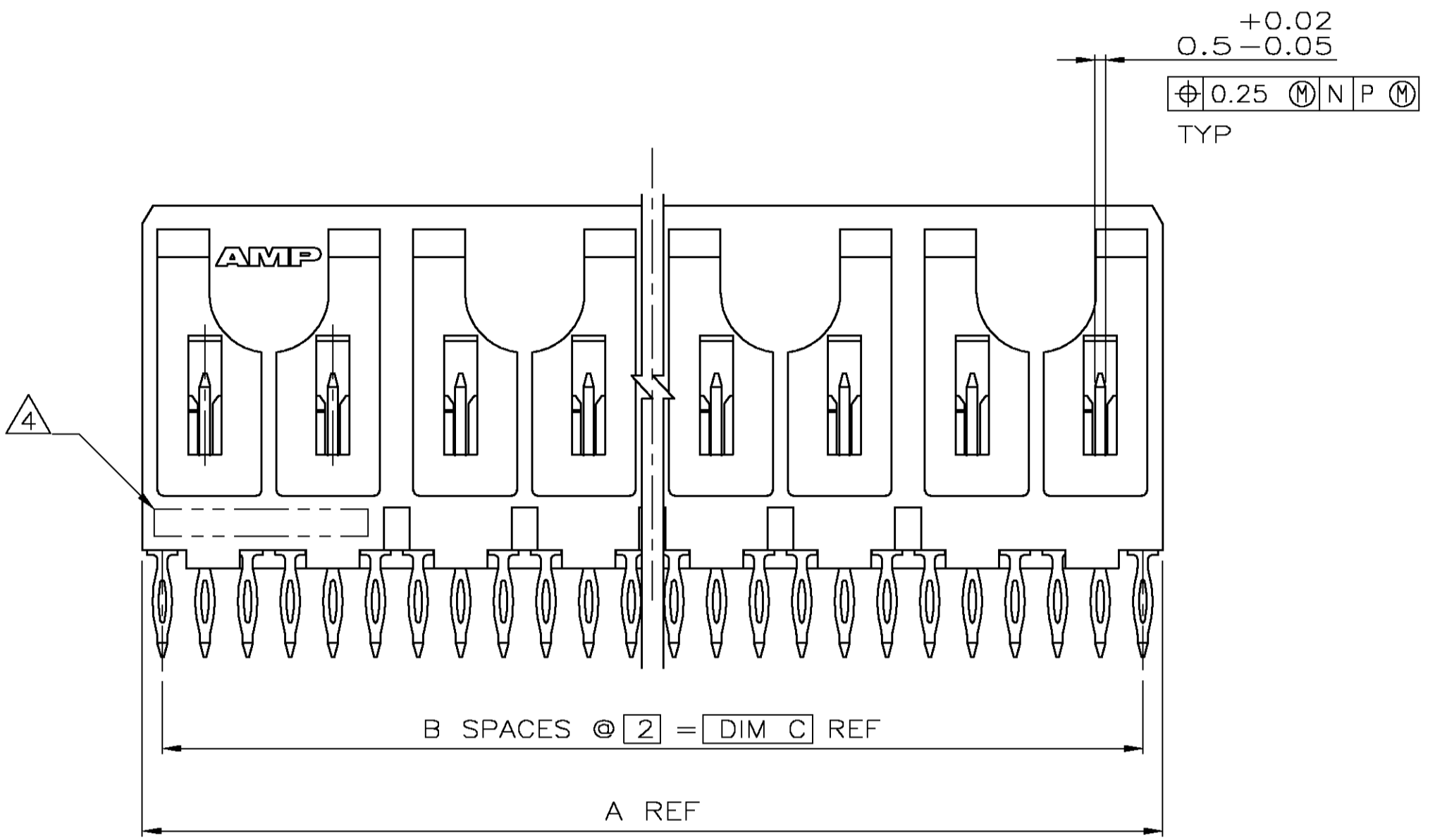
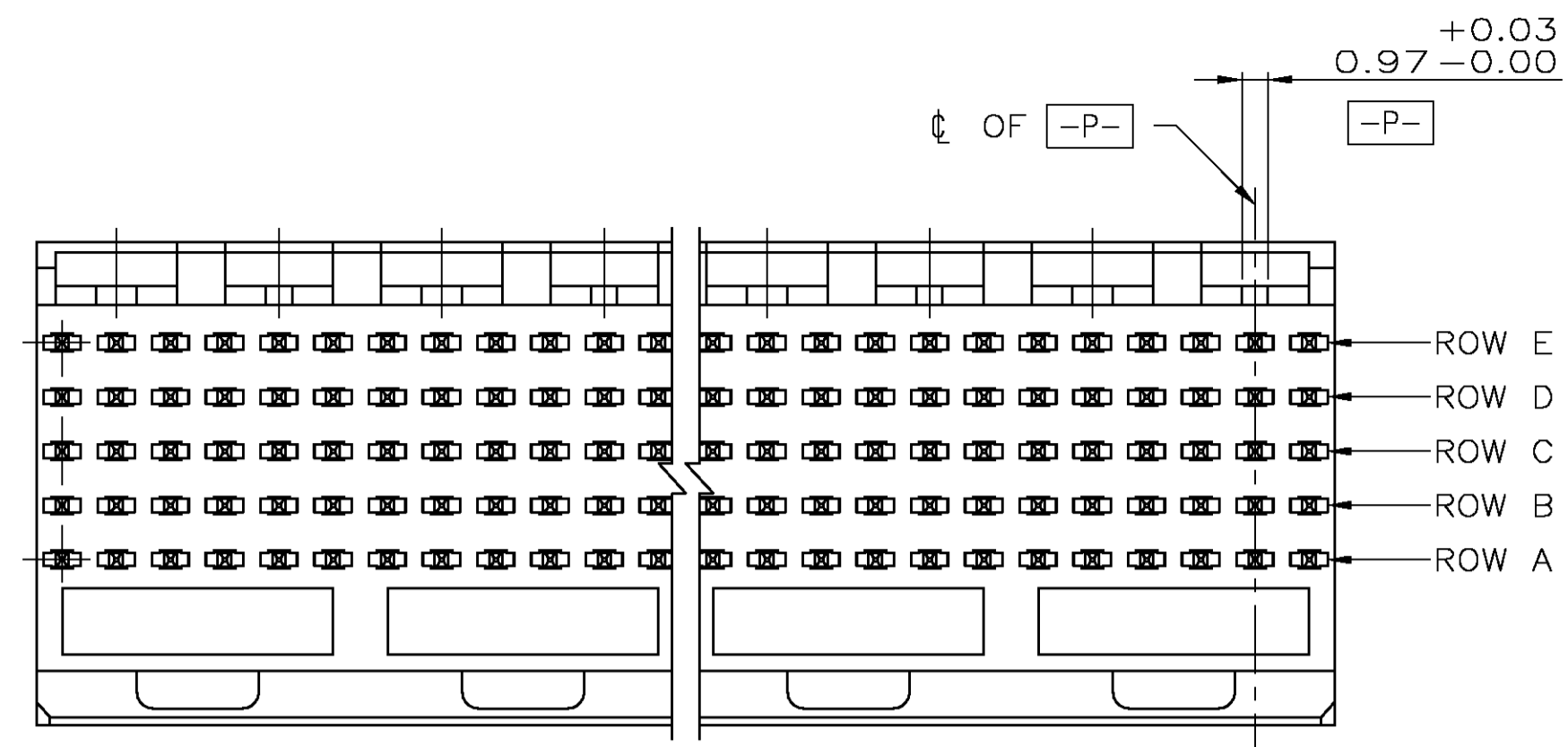
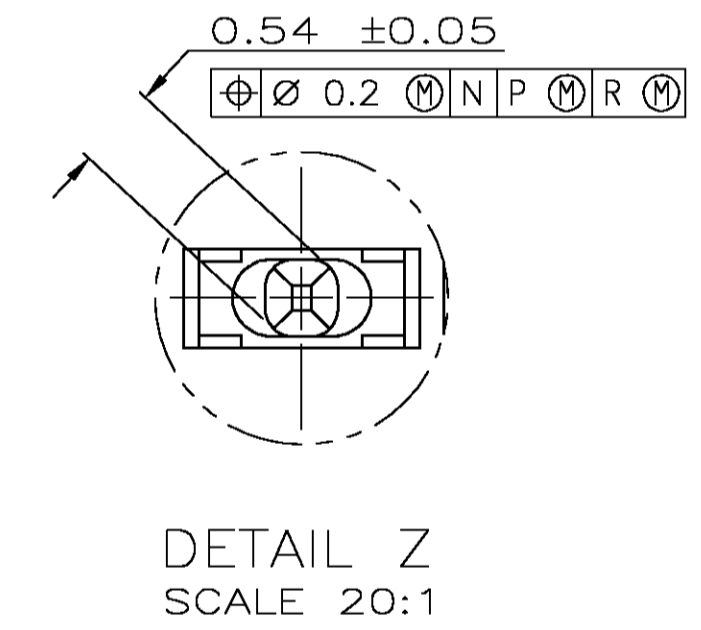


LOC		DIST		REVISIONS				
AD	00	P	LIR	DESCRIPTION	DATE	DMN	APVD	
		0		RELEASED PER EC 0512-0317-04	22NOV04	BM	RW	



$\phi 0.725 \pm 0.075$
 $\phi \emptyset 0.15$ (M)
 PLATED THROUGH HOLE

- 1 HOUSING MATERIAL: LIQUID CRYSTAL POLYMER
COLOR: NATURAL.
- 2 CONTACT MATERIAL: PHOSPHOR BRONZE
- 3 CONTACT FINISH:(B)
UNDERPLATE (ENTIRE CONTACT):
0.00127 MIN NICKEL PER SAE-AMS-QQ-N-290
ON MATING SURFACES:
CONFORMS TO ALL TESTING SPECIFIED FOR TELCORDIA
UNCONTROLLED ENVIRONMENT.
ON LEADS:
0.0006 MIN MATTE TIN PER ASTM B 545 OVER UNDERPLATE.
LUBRICATION (MIN MATING SURFACES):
SURFACE CONDITIONER AFTER PLATING.
- 4 PART MARKING LOCATED APPROXIMATELY AS SHOWN.
- 5 DIMENSION APPLIES WHEN SEATED ON PRINTED CIRCUIT BOARD.



260	130	131.88	330	1-5223016-1
118	59	119.88	300	1-5223016-0
106	53	107.88	270	5223016-9
94	47	95.88	240	5223016-8
82	41	83.88	210	5223016-7
140	70	71.88	180	5223016-6
58	29	59.88	150	5223016-5
46	23	47.88	120	5223016-4
34	17	35.88	90	5223016-3
22	11	23.88	60	5223016-2
10	5	11.88	30	5223016-1
C	B	A	NO OF SIGNAL POSN	PART NUMBER

THIS DRAWING IS A CONTROLLED DOCUMENT.

DIMENSIONS: mm	TOLERANCES UNLESS OTHERWISE SPECIFIED:	DMN B. MCMASTER 22NOV04	APVD R. WERTZ 22NOV04	TYCO Electronics Tyco Electronics Corporation Harrisburg, Pa 17105-3608
0 PLC ± -	1 PLC ± -	2 PLC ± -	3 PLC ± 0.13	4 PLC ± -
ANGLES ± -	FINISH ± -	SIZE A1	CAGE CODE 00779	DRAWING NO. 5223016
1	2	3	CUSTOMER DRAWING	SCALE 4:1 SHEET 1 OF 1 REV 0